

SHOWGUN® Specifications

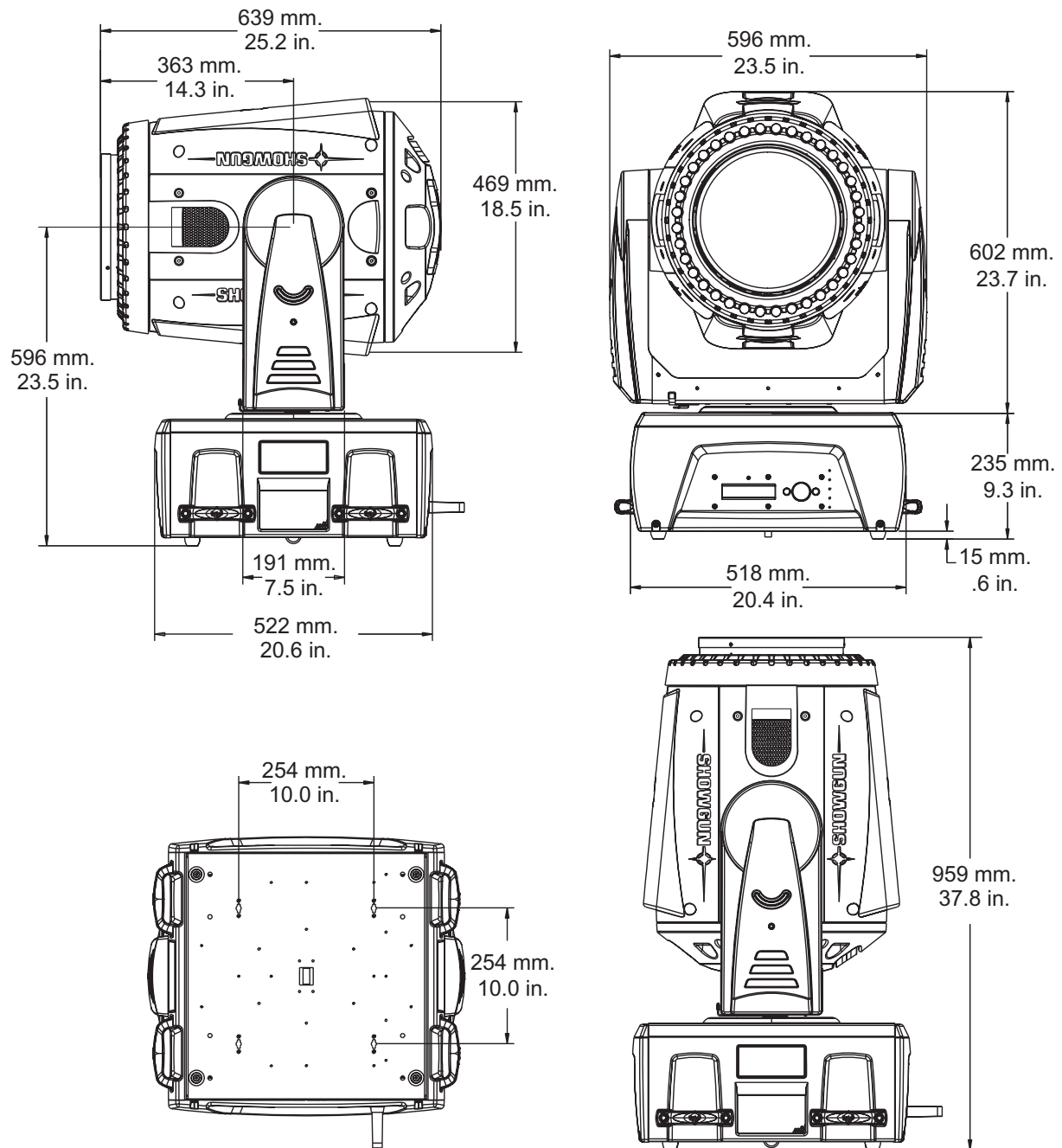
Mechanical

Fixture Dimensions: 596 mm x 639 mm x 959 mm (23.5 in x 25.2 in x 37.8 in)

Road Case Dimensions: 749 mm x 1200 mm x 724 mm (29.5 in x 47.25 in x 28.5 in)

Fixture Weight: 63.5 kg (140 lb)

Shipping Weight (Roadcase + fixture): 118 kg (260 lb)



Operational

Pan: 420°

Tilt: 216°

Zoom Range: 9°–18°

Fixture Output: 100,000 Lumens

Environmental

Maximum ambient temperature, (T_a): 45° C (113° F)

Minimum Distance to Flammable Objects: 4m (13.1 ft)

Maximum exterior surface temperature: 150° C (302° F)

Minimum Focus Distance to *non-flammable* object: 3 m (10 ft)

Electrical

Power

Input Rating: 200-240 VAC

Fixture Rated Power: 2800 W

Power Consumption: 14 Amps at 208 V, 11 Amps at 240V



WARNING!

Class 1 equipment - This equipment must be earthed.

Fuses

Fuse	Fuse Type and Rating	Manufacturer	Part Number
Motor Power Supply Input	2.5A, 250V, Slow Blow	Littelfuse	90403027EF
Motor Power Supply Output	5A 250V, Slow Blow	Littelfuse	90403012EF
2-phase Driver Boards	2.5A, 125V, Slow Blow SMF	Littelfuse	90402016EF
3-phase Pan and Tilt Board			
LED Control Board	5A, 125V, Slow Blow SMF	Littelfuse	90412027EF
Lamp Power Supply Input	20A, 250V, Very Fast	Bussmann	90403030EF

Lamp Specifications

	SHOWGUN (RECOMMENDED)	SHOWGUN	SHOWGUN 2.5
Lamp	PHILIPS MSR 2000/2	PHILIPS MSR 2000	PHILIPS MSR 2500/2
Color Temperature	7000K	6000K	7000 K
Lamp Life 50%	1250 hrs	750 hrs	1250 hrs

CRI: >80

CIE: X=.320; Y=.330

Cable and Connector Specifications

DMX data cables: Belden® 9841 or equivalent (meets specifications for EIA RS-485 applications) with the following characteristics:

- 2-conductor twisted pair plus a shield
- maximum capacitance between conductors - 30 pF/ft.
- maximum capacitance between conductor and shield - 55 pF/ft.
- maximum resistance of 20Ω / 1000 ft.
- nominal impedance 100-140Ω

DMX data connectors: 5-pin male and female XLR connectors

DMX data terminators: Male XLR connector with 120 ohm terminator

LithoPattern Specifications

Diameter : 64.9 mm ± .20 mm (2.56 in ± .008 in)

Clear Aperture: 53.34 mm ± .25 mm (2.1 in ± .01 in)

Concentricity of Clear Aperture: ± .18 mm (.007 in)

Maximum Thickness: 2.80 mm (.17in)